

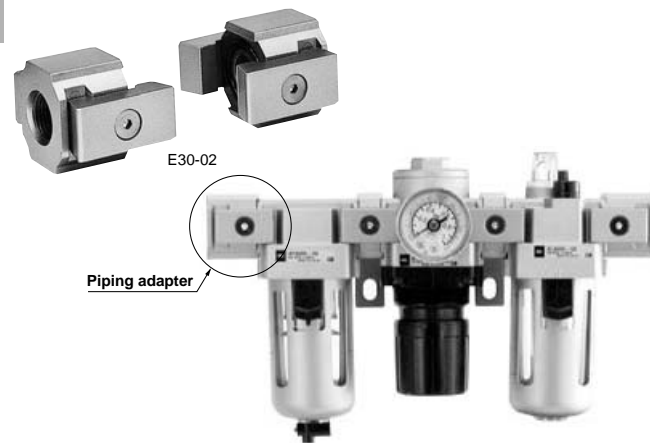
Attachments



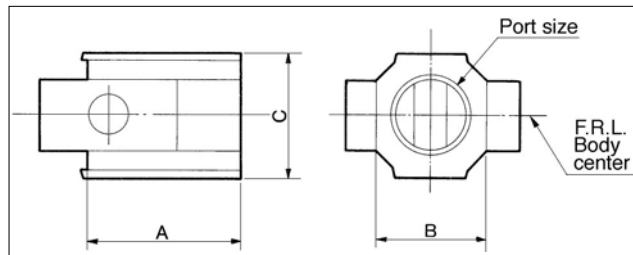
Piping Adapter

M5 X 0.8, 1/8, 1/4, 3/8, 1/2, 3/4, 1

Easy maintenance. Makes it possible to attach and detach equipment without removing piping.



* To order piping adapter with bracket, the parts number as shown below.
 (Example) With L type bracket: E□OL-□
 With T type bracket: E□OT-□
 ** One with AC installed is special product.



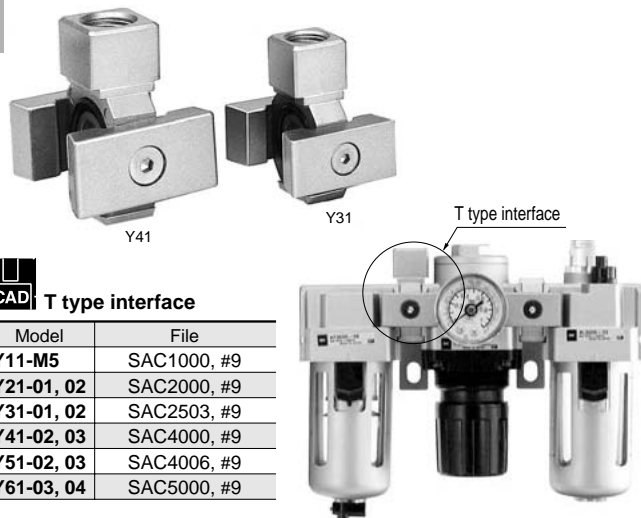
Model	Port size	A	B	C	Applicable model
E10-M5	M5 X 0.8	16	14	17.5	AC10□0, AW1000 AF1000, AR1000, AL1000
E20-□01	1/8	23	22	22	AC20□0 AF2000, AR2000, AW2000 AL2000, AFM2000, AFD2000
E20-□02	1/4				
E20-□03	3/8				
E30-□02	1/4	26	29	34.2	AC25□0, AC30□0 AF3000, AR3000, AW3000 AL3000, AFM3000, AFD3000
E30-□03	3/8				
E30-□04	1/2	40	29	34.2	AC40□0 AF4000, AR4000, AW4000 AL4000, AFM4000, AFD4000
E40-□02	1/4	33	35	42.2	
E40-□03	3/8				
E40-□04	1/2				
E40-□06	3/4	50	35	42.2	AC40□0-06 AF4000-06, AR4000-06, AW4000-06 AL4000-06, AFM4000-06, AFD4000-06
E50-□06	3/4	36	44	46.2	
E60-□06	3/4	40	54	55.2	
E60-□10	1				

Note 1) □ in part number indicates thread type. Use nothing for Rc(PT), N for NPT and F for G(PF).

T Type Interface: (T)

M5 X 0.8, 1/8, 1/4, 3/8, 1/2

Makes it easy to diverge air out with T type interface.

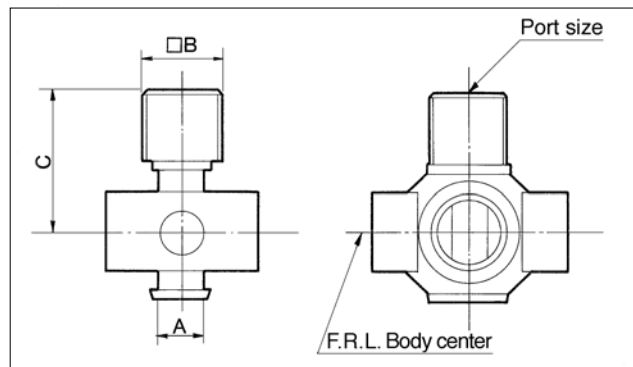


T type interface

Model	File
Y11-M5	SAC1000, #9
Y21-01, 02	SAC2000, #9
Y31-01, 02	SAC2503, #9
Y41-02, 03	SAC4000, #9
Y51-02, 03	SAC4006, #9
Y61-03, 04	SAC5000, #9

Caution on Assembling

- T type interface cannot be mounted at IN/OUT side of AW or upward handle of AR.
- When T type interface is used at IN side of lubricator, oil may have entered. Use check valve series AKM.



Model	Port size	A	□B	C	Applicable model
Y11-M5	M5 X 0.8	8	8	12	AC1000, AC1020
Y21-□01	1/8	10	19	29	AC2000, AC2020, AR2030
Y21-□02	1/4				
Y31-□01	1/8	11	19	33	AC2500, AC2520, AC2530 AC3000, AC3020, AC3030
Y31-□02	1/4				
Y41-□02	1/4	14	24	39	AC4000, AC4020, AC4030
Y41-□03	3/8				
Y51-□02	1/4	14	24	41	AC4000-06, AC4020-06 AC4030-06
Y51-□03	3/8				
Y61-□03	3/8	15	30	50.5	AC5000, AC5500, AC6000 AC5020, AC5520, AC6020
Y61-□04	1/2				

* When T type interface with bracket is required, order as example below.

(Example) With L bracket: Y□1L-□
 With T bracket: Y□1T-□

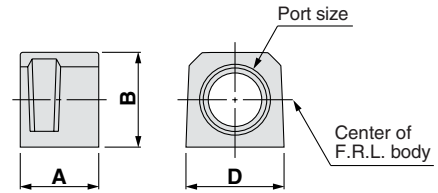
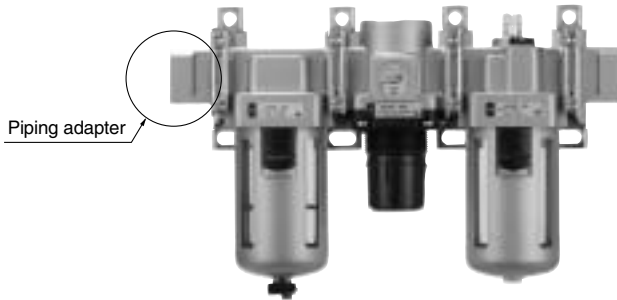
** Refer to a table of attachment on P.1.1-3 for standard port size when applying to AC.

*** □ in part number indicates thread. Use nothing for Rc(PT), N for NPT and F for G(PF).

F.R.L. Unit *Series AC* Attachment Specifications

Piping Adapter (E) M5 x 0.8, 1/8, 1/4, 3/8, 1/2, 3/4, 1

A piping adapter allows installation/removal of the component without removing the piping and thus makes maintenance easier.



Model ^{Note)}	Port size	A	B	D	Applicable model
E100-M5	M5 x 0.8	10	14	14	AC10□, AW10, AF10, AR10, AL10
E200-□01	1/8	30	23.5	28	AC20□
E200-□02	1/4				AF20, AR20□, AW20□
E200-□03	3/8				AL20, AFM20, AFD20, AWM20, AWD20
E300-□02	1/4	32	30	30	AC25□, AC30□
E300-□03	3/8				AF30, AR30□, AW30□
E300-□04	1/2				AL30, AFM30, AFD30, AWM30, AWD30
E400-□02	1/4	32	36	36	AC40□
E400-□03	3/8				AF40, AR40□, AW40□
E400-□04	1/2				AL40, AFM40, AFD40
E400-□06	3/4				AWM40, AWD40
E500-□06	3/4	32	40	44	AC40□-06, AF40-06, AR40□-06, AW40□-06 AL40-06, AFM40-06, AFD40-06
E600-□06	3/4	35	48	53	AC50, AC55, AC60, AC50B, AC55B, AC60B
E600-□10	1				AF50, AR50□, AL50, AF60, AR60□, AL60

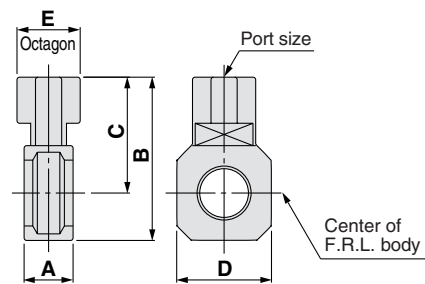
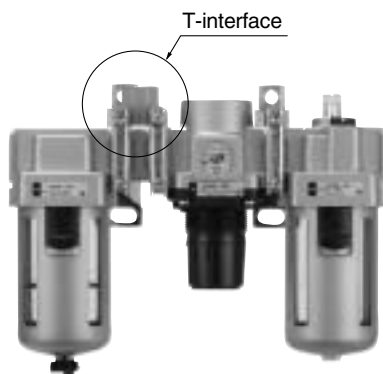
Notes) • □ in model numbers indicates a thread type. No indication is necessary for Rc; however, indicate N for NPT, and F for G.

• Separate interfaces are required for modular unit.

* Factory mounting of a piping adapter on the AC models is available as a special order.

T-interface (T) M5 x 0.8, 1/8, 1/4, 3/8, 1/2

Using a T-interface facilitates the redirection of air flow.



Model	Port size	A	B	C	D	E	Applicable model
Y110-M5	M5 x 0.8	11	19	12	14	8	AC10, AC10B
Y210-□01	1/8	15	42	32	28	19	AC20, AC20B
Y210-□02	1/4						AC20C
Y310-□01	1/8	15	53	39	30	19	AC25, AC25B
Y310-□02	1/4						AC25C, AC30
Y410-□02	1/4	19	62	44	36	24	AC30B, AC30C
Y410-□03	3/8						AC40, AC40B
Y510-□02	1/4	19	66	46	44	24	AC40C
Y510-□03	3/8						AC40-06, AC40B-06
Y610-□03	3/8	22	81	57	53	30	AC40C-06
Y610-□04	1/2						AC50, AC55
							AC60, AC50B
							AC55B, AC60B

Notes) • □ in model numbers indicates a thread type. No indication is necessary for Rc; however, indicate N for NPT, and F for G.

• Separate interfaces are required for modular unit.

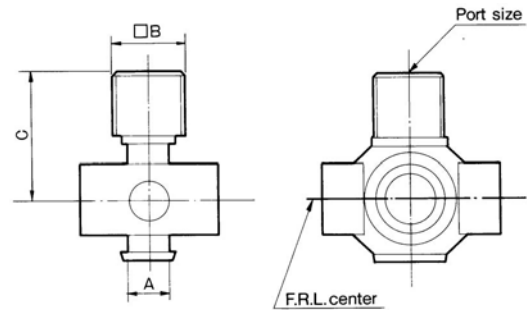
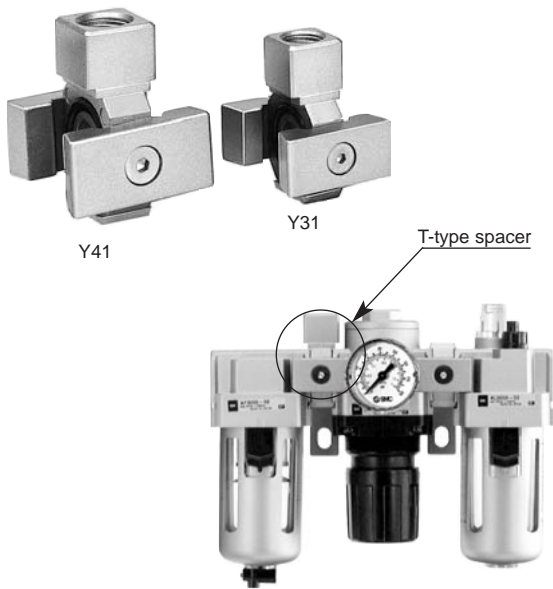
* Refer to the attachment table on Front matter 2 for standard port sizes when using with AC.

Caution in Mounting

- If a T-interface is used on the IN side of the lubricator, lubricant may be mixed. Use the series AKM check valve to avoid such possibility.

T-Type Spacer

M5x0.8, 1/8•1/4•3/8•1/2

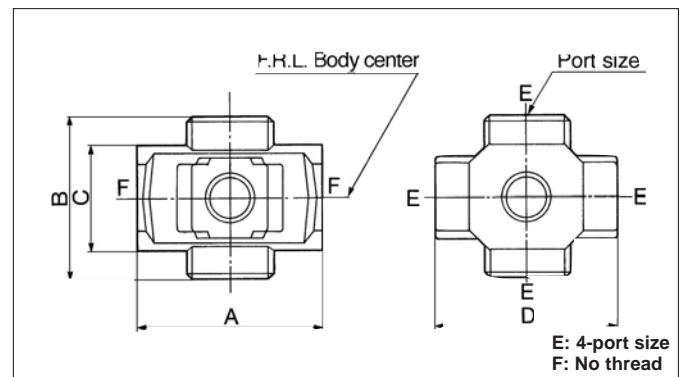
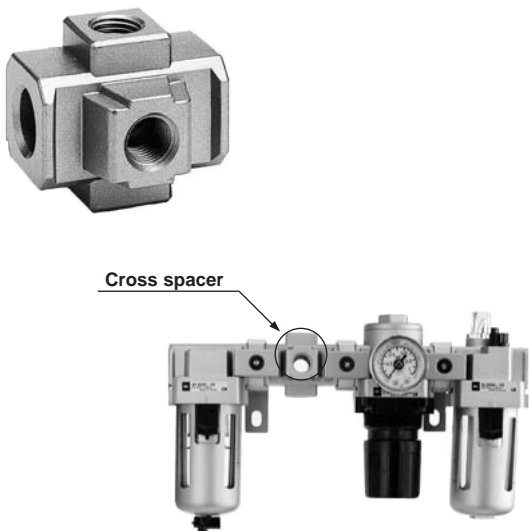


Model	Port size	A	B	C	Applicable model
Y11-M5	M5x0.8	.31 (8)	.31 (8)	.47 (12)	NAC1000•NAC1020
Y21-N01	1/8	.39 (10)	.75 (19)	1.14 (29)	NAC2000•NAC2020•NAC2030
Y21-N02	1/4				
Y31-N01	1/8	.43 (11)	.75 (19)	1.30 (33)	NAC2500•NAC2520•NAC2530 NAC3000•NAC3020•NAC3030
Y31-N02	1/4				
Y41-N02	1/4	.55 (14)	.94 (24)	1.54 (39)	NAC4000•NAC4020•NAC4030
Y41-N03	3/8				
Y51-N02	1/4	.55 (14)	.94 (24)	1.61 (41)	NAC4000-N06•NAC4020-N06 NAC4030-N06
Y51-N03	3/8				
Y61-N03	3/8	.59 (15)	1.18 (30)	1.99 (50.5)	NAC5000•NAC5020•NAC5500 NAC5520•NAC6000•NAC6020
Y61-N04	1/2				

*When T-type spacer with bracket is required, please order as follows.
 Example: L-type bracket:YOIL-N00
 T-type bracket:YOIT-N00

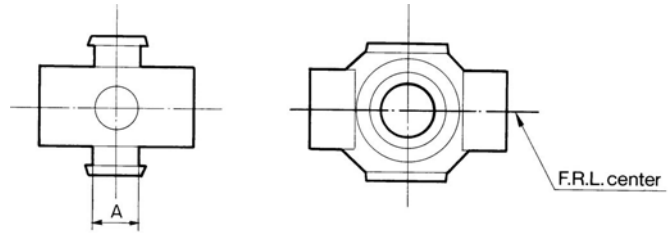
Cross Spacer

M5x0.8,1/8•1/4•3/8•1/2



Model	Port size	A	B	C	D	Applicable model
Y14-M5	M5 x 0.8	.91 (23)	.63 (16)	.55 (14)	.98 (25)	NAC1000•NAC1010•NAC1020
Y24-N01	1/8	1.57 (40)	1.57 (40)	.87 (22)	1.57 (40)	NAC2000•NAC2010•NAC2020 NAC2030•NAC2040
Y24-N02	1/4					
Y34-N01	1/8	1.93 (49)	1.69 (43)	1.10 (28)	1.89 (48)	NAC2500•NAC2520•NAC2530 NAC3000•NAC3010•NAC3020 NAC3030•NAC3040
Y34-N02	1/4					
Y44-N02	1/4	2.36 (60)	1.89 (48)	1.42 (36)	2.13 (54)	NAC4000•NAC4010•NAC4020 NAC4030•NAC4040
Y44-N03	3/8					
Y54-N03	3/8	2.83 (72)	2.44 (62)	1.57 (40)	2.44 (62)	NAC4000-N06•NAC4010-N06 NAC4020-N06•NAC4030-N06 NAC4040-N06
Y54-N04	1/2					

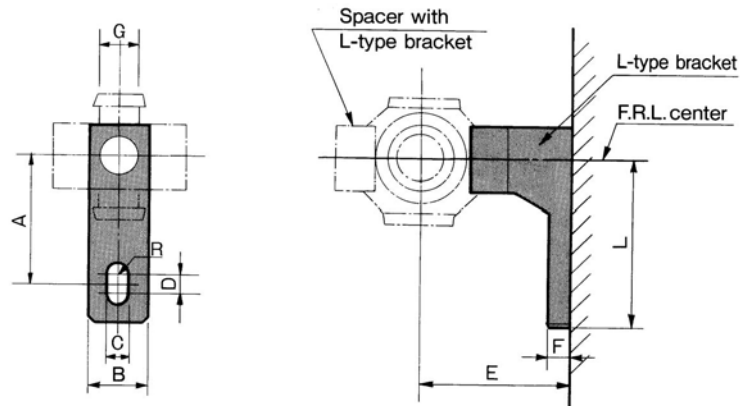
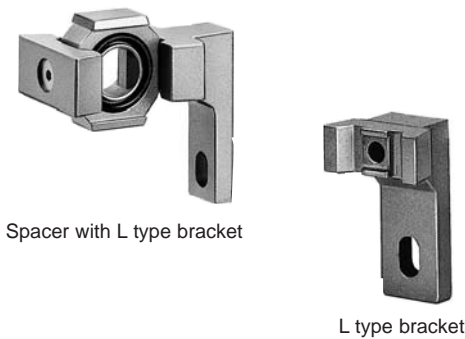
Spacer



Inch (mm)

Model	A	Applicable model
Y10	.31 (8)	NAC1000 ~ NAC1020
Y20	.39 (10)	NAC2000 ~ NAC2040
Y30	.43 (11)	NAC2500 ~ NAC2540 NAC3000 ~ NAC3040
Y40	.55 (14)	NAC4000 ~ NAC4040
Y50	.55 (14)	NAC4000-N06 ~ NAC4040-N06
Y60	.59 (15)	NAC5000, NAC5500, NAC6000 NAC5020, NAC5520, NAC6020

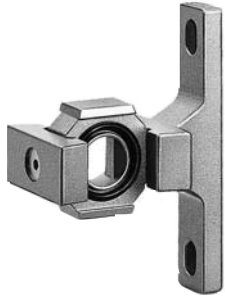
Spacer With L-type Bracket



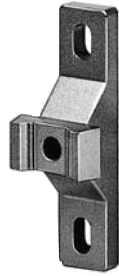
Inch (mm)

L-type Bracket	Spacer with L-type Bracket	A	B	C	D	E	F	G	R	L	Applicable model
B110L	Y10L	.79 (20)	.47 (12)	.18 (4.5)	.12 (3)	.98 (25)	.20 (5)	.31 (8)	.09 (2.25)	1.06 (27)	NAC1000~NAC1020
B210L	Y20L	.94 (24)	.59 (15)	.22 (5.5)	.12 (3)	1.18 (30)	.20 (5)	.39 (10)	.11 (2.75)	1.30 (33)	NAC2000~NAC2040
B310L	Y30L	1.38 (35)	.63 (16)	.28 (7)	.16 (4)	1.61 (41)	.28 (7)	.43 (11)	.14 (3.50)	1.77 (45)	NAC2500~NAC2540 NAC3000~NAC3040
B410L	Y40L	1.57 (40)	.87 (22)	.35 (9)	.16 (4)	1.97 (50)	.28 (7)	.55 (14)	1.18 (4.5)	1.97 (50)	NAC4000~NAC4040
B510L	Y50L	1.57 (40)	.87 (22)	.35 (9)	.16 (4)	1.97 (50)	.28 (7)	.55 (14)	1.18 (4.5)	1.97 (50)	NAC4000-N06~NAC4040-N06
B610L	Y60L	1.97 (50)	.94 (24)	.47 (12)	.16 (4)	2.76 (70)	.39 (10)	.59 (15)	.24 (6)	2.46 (62.5)	NAC5000•NAC5500•NAC6000 NAC5020•NAC5520•NAC6020

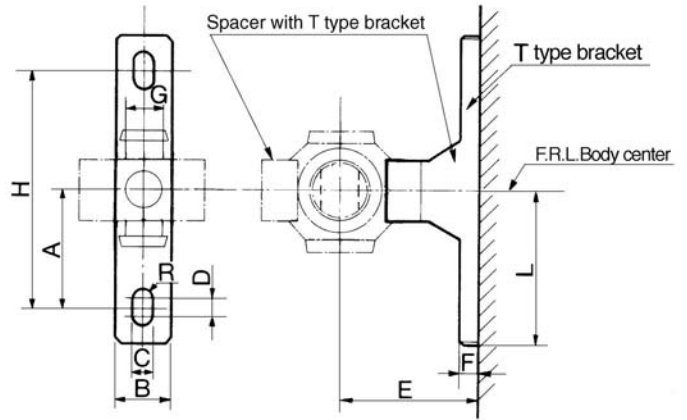
Spacer with T-type Bracket



Spacer with T-type Bracket



T-type Bracket

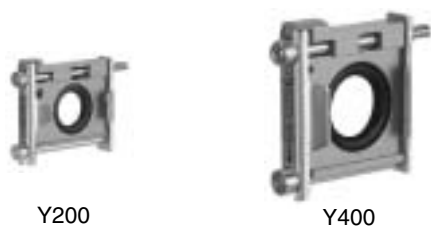


Inch (mm)

T-type Bracket	Spacer with T-type Bracket	A	B	C	D	E	F	G	H	R	L	Applicable model
B110T	Y10T	.79 (20)	.47 (12)	.18 (4.5)	.12 (3)	.98 (25)	.20 (5)	.31 (8)	1.57 (40)	.09 (2.25)	1.06 (27)	NAC1000~NAC1020
B210T	Y20T	.94 (24)	.59 (15)	.22 (5.5)	.12 (3)	1.18 (30)	.20 (5)	.39 (10)	1.89 (48)	.11 (2.75)	1.30 (33)	NAC2000~NAC2040
B310T	Y30T	1.38 (35)	.63 (16)	.28 (7)	.16 (4)	1.61 (41)	.28 (7)	.43 (11)	2.76 (70)	.14 (3.50)	1.77 (45)	NAC2500~NAC2540 NAC3000~NAC3040
B410T	Y40T	1.57 (40)	.87 (22)	.35 (9)	.16 (4)	1.97 (50)	.28 (7)	.55 (14)	3.15 (80)	1.18 (4.5)	1.97 (50)	NAC4000~NAC4040
B510T	Y50T	1.57 (40)	.87 (22)	.35 (9)	.16 (4)	1.97 (50)	.28 (7)	.55 (14)	3.15 (80)	1.18 (4.5)	1.97 (50)	NAC4000-N06~NAC4040-N06
B610T	Y60T	1.97 (50)	.94 (24)	.47 (12)	.16 (4)	2.76 (70)	.39 (10)	.59 (15)	3.94 (100)	.24 (6)	2.46 (62.5)	NAC5000• NAC5500• NAC6000 NAC5020• NAC5520• NAC6020

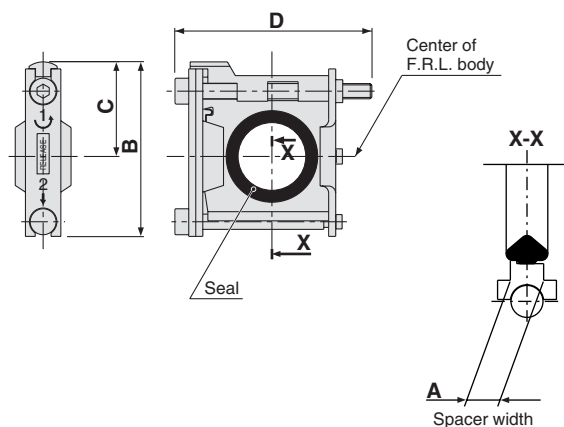
Series AC Spacers and Brackets Accessories

Spacer (X)



Y200

Y400



Model	A	B	C	D	Applicable model
Y100	6	27	15	33	AC10, AC10A, AC10B
Y200	3	35.5	18.5	48	AC20□
Y300	4	47	26	59	AC25□, AC30□
Y400	5	57	31	65	AC40□
Y500	5	61	33	70	AC40□-06
Y600	6	75.5	41	86	AC50, AC55, AC60 AC50B, AC55B, AC60B

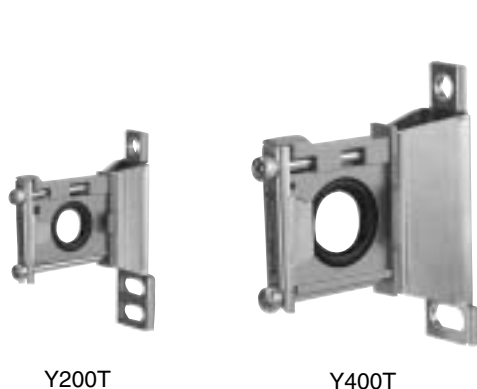
Replacement parts

Description	Material	Part no.					
		Y100	Y200	Y300	Y400	Y500	Y600
Seal	HNBR ^{Note 2)}	Y100P-060AS ^{Note 1)}	Y200P-060S	Y300P-060S	Y400P-060S	Y500P-060S	Y600P-060S

Note 1) Y-100 comes with 2 O-rings.

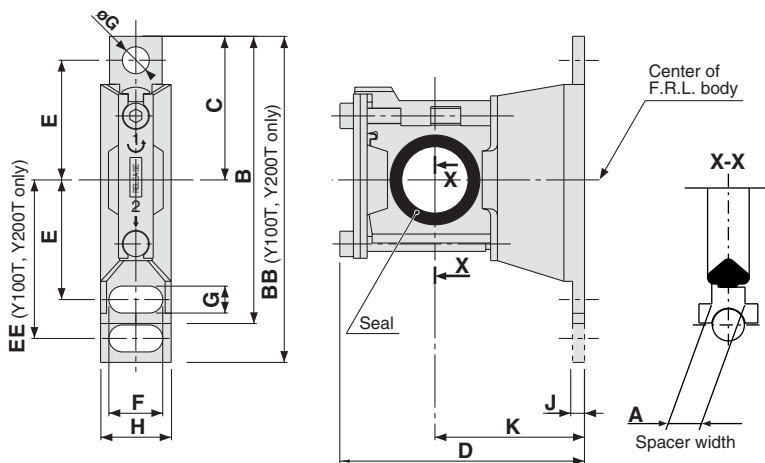
Note 2) NBR seal is used for Y100 spacer because of no direct contact with fluid.

Spacer with Bracket (Z)



Y200T

Y400T



Model	A	B	BB	C	D	E	EE	F	G	øG	H	J	K	Applicable model
Y100T	6	—	56	24.5	40.5	20	27	6.8	4.5	4.5	14	2.8	25	AC10□
Y200T	3	—	67	29	53	24	33	12	5.5	5.5	19	3.2	30	AC20□
Y300T	4	82	—	41	68	35	—	14	7	7	21	4	41	AC25□, AC30□
Y400T	5	96	—	48	81.5	40	—	18	9	9	26	4	50	AC40□
Y500T	5	96	—	48	86	40	—	18	9	9	27	4.6	50	AC40□-06
Y600T	6	120	—	60	112	50	—	20	11	11	31	6.4	70	AC50, AC55, AC60, AC50B, AC55B, AC60B

Replacement parts

Description	Material	Part no.					
		Y100T	Y200T	Y300T	Y400T	Y500T	Y600T
Seal	HNBR ^{Note 2)}	Y100P-060AS ^{Note 1)}	Y200P-060S	Y300P-060S	Y400P-060S	Y500P-060S	Y600P-060S

Note 1) Y-100T comes with 2 O-rings.

Note 2) NBR seal is used for Y100T spacer because of no direct contact with fluid.

Attachments

Cross Interface

M5 X 0.8, 1/8, 1/4, 3/8, 1/2

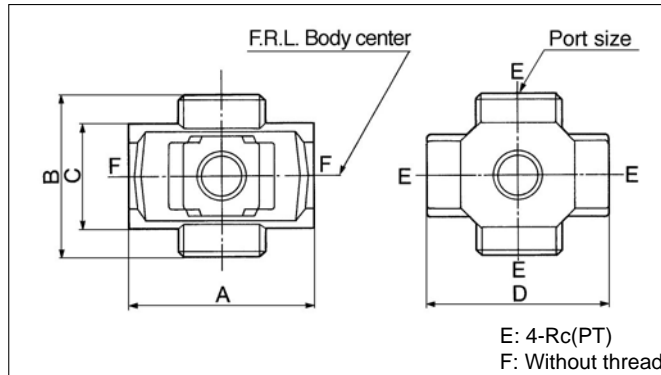
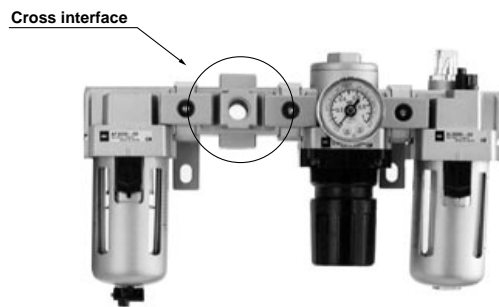
Make it possible to diverge piping in all directions.

Note) IN/OUT port is not machined for thread piping.



CAD Cross interface

Model	File
Y14-M5	SAC1000, #10
Y24-01, 02	SAC2000, #10
Y34-01, 02	SAC3000, #10
Y44-02, 03	SAC4000, #10
Y54-03, 04	SAC4006, #10



Model	Port size	A	B	C	D	Applicable model
Y14-M5	M5	23	16	14	25	AC1000, AC1010, AC1020
Y24-□01	1/8	40	40	22	40	AC2000, AC2010, AC2020 AC2030, AC2040
Y24-□02	1/4					
Y34-□01	1/8	49	43	28	48	AC2500, AC2520, AC2530 AC3000, AC3010, AC3020 AC3030, AC3040
Y34-□02	1/4					
Y44-□02	1/4	60	48	36	54	AC4000, AC4010, AC4020 AC4030, AC4040
Y44-□03	3/8					
Y54-□03	3/8	72	62	40	62	AC4000-06, AC4010-06 AC4020-06, AC4030-06 AC4040-06
Y54-□04	1/2					

Note 1) □ in parts number indicates thread. Use nothing for Rc(PT), N for NPT and F for G(PF).

Residual Pressure Exhaust 3 Port Valve: (V)

Residual pressure exhaust 3 port valve makes it easier to exhaust pressure.

Residual pressure exhaust 3 port valve

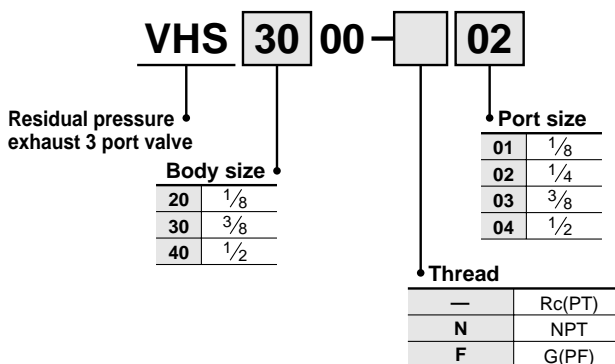


Specifications

Model	Port size	Effective area (mm ²)	
		IN to OUT	OUT to EXH
VHS2000	1/8	10	11
	1/4	14	16
VHS3000	1/4	16	14
	3/8	31	29
VHS4000	1/4	22	15
	3/8	38	29
	1/2	57	51

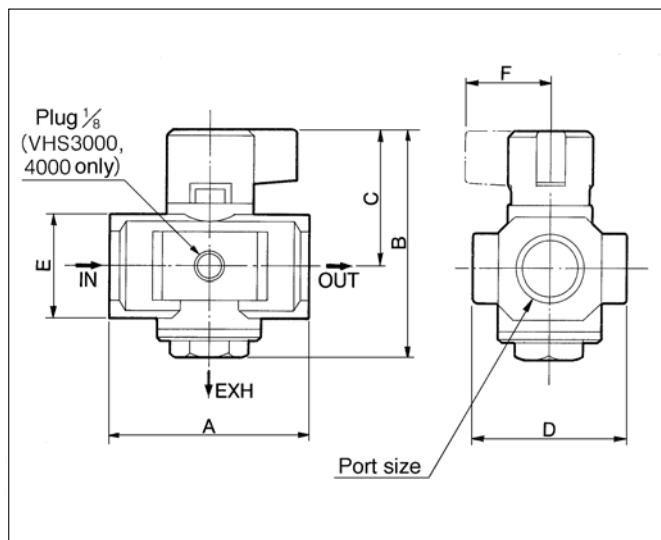
Note) Use air filter on the IN side to protect operation.

How to Order



Caution on Assembling

- When mounting directly onto the IN side of lubricator, use check valve series AKM between the interface and lubricator.
- Installation to AC will be available as a special product. Please consult SMC.



Model	IN/OUT Port size	EXH Port size	A	B	C	D	E	F
VHS2000	1/8, 1/4	1/8	40	56	36	28	22	25
VHS3000	1/4, 3/8	1/4	53	74	45	48	28	30
VHS4000 ⁽¹⁾	1/4, 3/8, 1/2	3/8	70	80	48	54	36	30

Note 1) NOT applicable to AC40□0-06.

Caution on Assembling

Pressure switch and T type interface can not be mounted to OUT side of residual pressure exhaust 3 port valve.



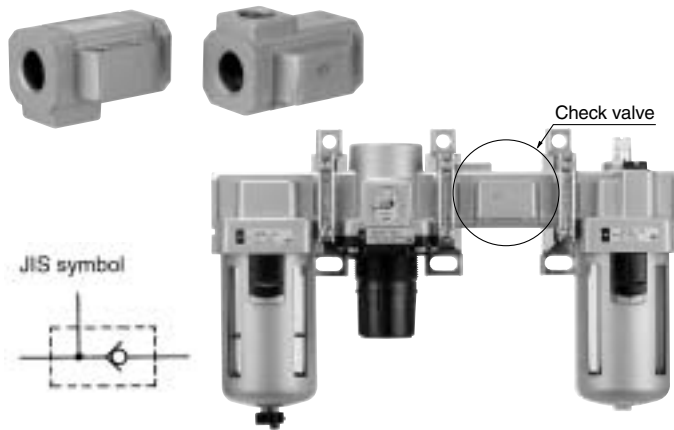
CAD Residual pressure exhaust 3 port valve

Model	File
VHS2000	SAC2000, #11
VHS3000	SAC2503, #11
VHS4000	SAC4000, #11

Series AC

Check Valve (K) Rc1/8, 1/4, 3/8

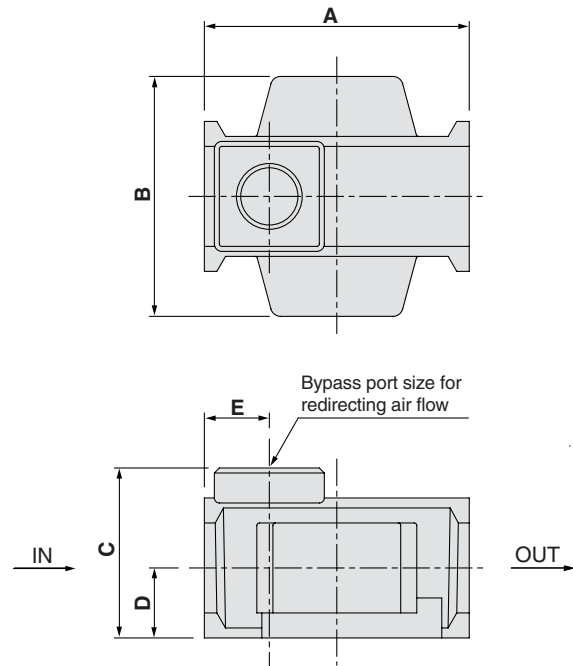
A check valve with intermediate air release port can be easily installed to prevent a back flow of lubricant when redirecting the air flow and releasing the air on the outlet side of the regulator.



Specifications

Model	Effective area (mm ²)
AKM2000	28
AKM3000	55
AKM4000	111

Be sure to use above check valves when redirecting the air flow on the inlet side of the lubricator. Threads for IN and OUT ports are not machined.



Model	Bypass port sizes	A	B	C	D	E	Applicable model
AKM2000	1/8, 1/4	40	40	28	11	11	AC20, AC20A
AKM3000	1/8, 1/4	53	48	34	14	13	AC25, AC25A AC30, AC30A
AKM4000	1/4, 3/8	70	54	42	18	15	AC40, AC40A ^{Note)}

Note) Not applicable to AC40□-06.

* Refer to the attachment table on page 1 or 5 for standard bypass port sizes applicable to AC.

How to Order

AKM 30 00 - 01

Check valve
Body size
20 30 40

Bypass port size for redirecting air flow

Symbol	Port size	Body size		
		20	30	40
01	1/8	●	●	—
02	1/4	●	●	●
03	3/8	—	—	●

Thread type

Nil	Rc
N	NPT
F	G

